



標準螺絲供應有限公司 STANDARD BOLTS & NUTS SDN BHD

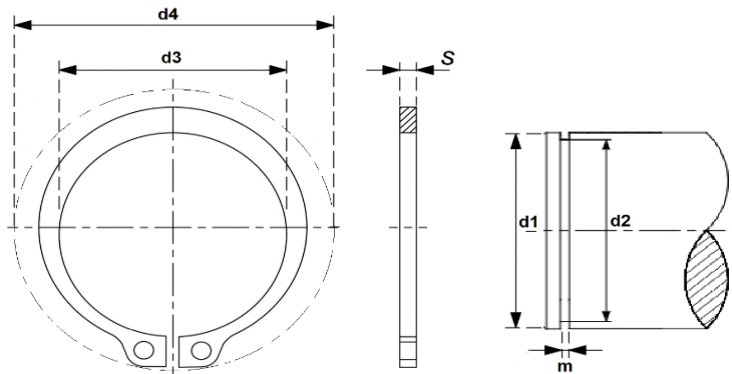
NO. 47 & 49, JALAN TPP 1/1, TMN INDUSTRI PUCHONG, 12TH MILES,
47100 PUCHONG, SELANGOR DARUL EHSAN.

Tel: 03-8062 3811 (Hunting Line) Fax: 03-8068 2811

Extenal Circlip

Material :

- Spring Steel
- Stainless Steel 304 (A2)



Shaft Diameter	d3	Tol.	d4	s	d2		m	axial force in N
			Fitted				H13	
Ø 3	2.7	+0.04 -0.15	7	0.4	2.8	h10	0.5	230
Ø 4	3.7		8.6		3.8		0.5	300
Ø 5	4.7		10.3		4.8		0.7	380
Ø 6	5.6	+0.06 -0.18	11.7	0.8	5.7		0.8	700
Ø 7	6.5		13.5		6.7		0.9	800
Ø 8	7.4	14.7	7.6	1	h11		0.9	1200
Ø 9	8.4	+0.10 -0.36	16			8.6	1380	
Ø 10	9.3		17			9.6	1530	
Ø 11	10.2		18			10.5	2100	
Ø 12	11		19			11.5	2300	
Ø 13	11.9		20.2			12.4	3000	
Ø 14	12.9		21.4	13.4	3250			
Ø 15	13.8	22.6	14.3	4000				
Ø 16	14.7	23.8	15.2	4900				
Ø 17	15.7	25	16.2	5200				
Ø 18	16.5	+0.13 -0.42	26.2	1.2	h12	1.3	17	6900
Ø 19	17.5		18				7250	
Ø 20	18.5		19				7700	
Ø 21	19.5		20				8050	
Ø 22	20.5		21				8450	
Ø 23	21.5		22				8850	
Ø 24	22.2	+0.21 -0.42	22.9	1.5	h12	1.6	23.9	10100
Ø 25	23.2		24.9				10600	
Ø 26	24.2		25.6				11000	
Ø 27	24.9		26.6				14500	
Ø 28	25.9		27.6				15000	
Ø 29	26.9		28.6				15600	
Ø 30	27.9	-0.25 -0.5	30.3	1.5	h12	1.85	31.3	16200
Ø 32	29.6		32.3				21000	
Ø 33	30.5		33				21600	
Ø 34	31.5		34				22200	
Ø 35	32.2						26700	
Ø 36	33.2						27600	



標準螺絲供應有限公司 STANDARD BOLTS & NUTS SDN BHD

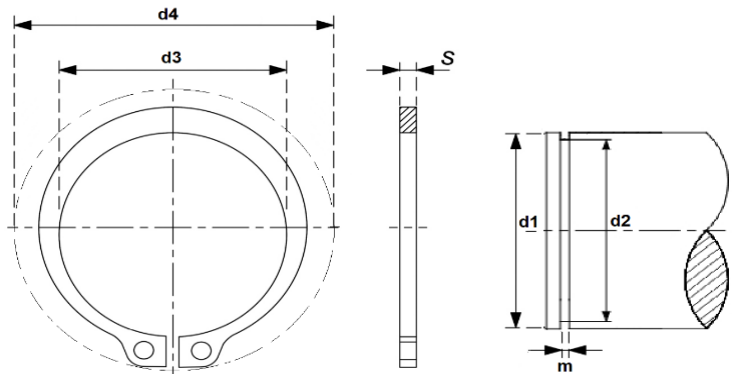
NO. 47 & 49, JALAN TPP 1/1, TMN INDUSTRI PUCHONG, 12TH MILES,
47100 PUCHONG, SELANGOR DARUL EHSAN.

Tel: 03-8062 3811 (Hunting Line) Fax: 03-8068 2811

Extenal Circlip

Material :

- Spring Steel
- Stainless Steel 304 (A2)



Shaft Diameter	d3	Tol.	d4	s	d2		m	axial force in N	
			Fitted		h12		H13		
Ø 37	34.2	-0.25	49.4	1.75	35	h12	1.85	28300	
Ø 38	35.2	-0.5	50.2		36			29100	
Ø 40	36.5	-0.39	52.6		37.5			38100	
Ø 42	38.5		55.7		39.5			40000	
Ø 45	41.5		59.1		42.5			43000	
Ø 47	43.5		-0.9		61.6			44.5	45000
Ø 48	44.5		62.5		45.5			46000	
Ø 50	45.8	+0.46	64.5	2	47	2.15	57000		
Ø 52	47.8		66.7		49		59500		
Ø 55	50.8		70.2		52		63000		
Ø 56	51.8		71.6		53		64000		
Ø 57	52.8		72.6		54		65000		
Ø 58	53.8		73.6		55		66500		
Ø 60	55.8		75.6		57		69000		
Ø 62	57.8		77.8		59		71000		
Ø 63	58.8		79		60		72500		
Ø 65	60.8		-1.1		81.4		2.5	62	2.65
Ø 68	63.5	84.8	65	78400					
Ø 70	65.5	87	67	80500					
Ø 72	67.5	89.2	69	83000					
Ø 75	70.5	92.8	72	86000					
Ø 78	73.5	96.1	75	90000					
Ø 80	74.5	98.1	76.5	107000					
Ø 82	76.5	100.3	78.5	110000					
Ø 85	79.5	+0.54	100.3	3	81.5	3.15	114000		
Ø 88	82.5		106.5		84.5		119000		
Ø 90	84.5		108.5		86.5		121000		
Ø 95	89.5		114.8		91.5		128000		
Ø 100	94.5		120.2		96.5		135000		
Ø 105	98	-1.3	125.8	4	101	4.15	162000		
Ø 110	103		131.2		106		170000		
Ø 115	108		137.3		111		178000		
Ø 120	113		143.1		116		185000		



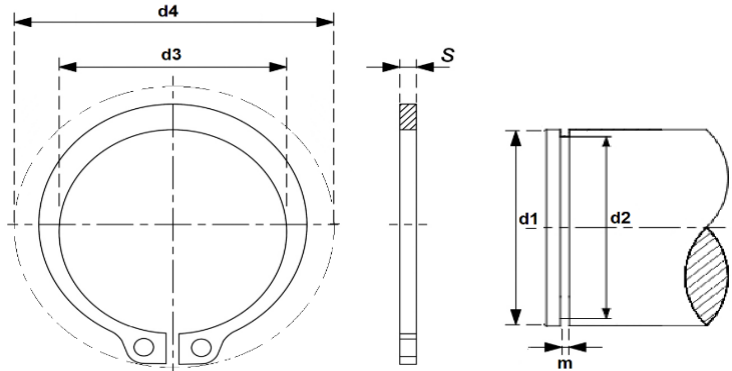
標準螺絲供應有限公司 STANDARD BOLTS & NUTS SDN BHD

NO. 47 & 49, JALAN TPP 1/1, TMN INDUSTRI PUCHONG, 12TH MILES,
47100 PUCHONG, SELANGOR DARUL EHSAN.
Tel: 03-8062 3811 (Hunting Line) Fax: 03-8068 2811

Extenal Circlip

Material :

- Spring Steel
- Stainless Steel 304 (A2)



Shaft Diameter	d3	Tol.	d4	s	d2		m	axial force in N
			Fitted		h13		H13	
Ø 125	118	+0.54 -1.3	149	4	121	h13	4.15	193000
Ø 130	123	+0.63 -1.5	154.4		126			201000
Ø 135	128		159.8		131			20900
Ø 140	133		165.2		136			217000
Ø 145	138		170.6		141			225000
Ø 150	142		177.3		145			289000
Ø 155	146		182.3		150			300000
Ø 160	151		188		155			310000
Ø 165	155.5		193.4		160			320000
Ø 170	160.5		198.4		165			329000
Ø 175	165.5		203.4		170			338000
Ø 180	170.5	210	175		348000			
Ø 185	175.5	215	180		338000			
Ø 190	180.5	220	185		335000			
Ø 195	185.5	225	190		327000			
Ø 200	190.5	230	195		319000			
Ø 210	198	+0.72 -1.7	240	5	204	5.15	488000	
Ø 220	208		250		214		512000	
Ø 230	218		260		224		535000	
Ø 240	228		270		234		529000	
Ø 250	238		280		244		503000	
Ø 260	245		294		252		544000	
Ø 270	255	304	262		525000			
Ø 280	265	+0.81 -2	314		272		508000	
Ø 290	275		324		282		491000	
Ø 300	285		334		292		473000	