



標準螺絲供應有限公司 (513831-P)
STANDARD BOLTS & NUTS SDN. BHD.

No. 47 & 49, Jalan TPP 1/1, Taman Industri Puchong, 12th Miles,
 47100 Puchong, Selangor Darul Ehsan, Malaysia.

Tel: 03-8062 3811 (Hunting Line)

Fax: 03-8062 2230, 8068 2811

Website: <http://www.standardbolts.net>

E-mail: sale@standardbolts.net



ARC STUD

Material

Mild Steel

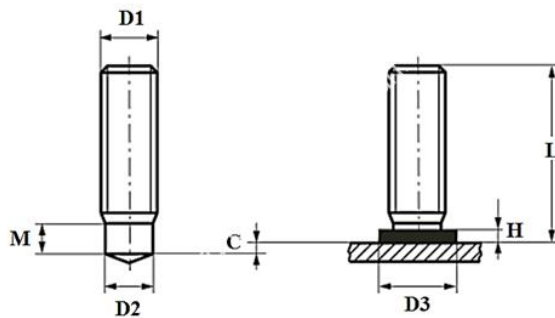
Stainless Steel 304 (A2)



Finishing

Mild Steel comes in Plain and Nickel-Plated Finishing

Thread Size (D1)	M6	M8	M10	M12
D2	4.7MM	6.2MM	7.9MM	9.5MM
D3	7.0MM	9.0MM	11.0MM	13.0MM
M	4.0MM	4.5MM	5.0MM	6.5MM
H	2.0MM	2.5MM	3.0MM	4.0MM
Length For Nickel	<ul style="list-style-type: none"> • 16MM • 20MM • 25MM • 35MM 	<ul style="list-style-type: none"> • 16MM • 20MM • 25MM • 30MM • 35MM • 40MM 	<ul style="list-style-type: none"> • 16MM • 20MM • 25MM • 30MM • 35MM • 40MM 	
Length For Stainless Steel 304 (A2)	<ul style="list-style-type: none"> • 20MM • 25MM • 35MM 	<ul style="list-style-type: none"> • 20MM • 25MM • 30MM • 35MM • 40MM • 45MM • 50MM • 60MM 	<ul style="list-style-type: none"> • 20MM • 25MM • 30MM • 35MM • 40MM • 45MM • 55MM • 60MM • 65MM 	<ul style="list-style-type: none"> • 20MM • 25MM • 30MM • 35MM • 40MM • 45MM • 50MM • 60MM • 65MM



BRANCH :

SBN (KLANG)

135 & 137, Jalan Batu Tiga Lama,
 Berkeley Town Centre,
 41300 Klang, Selangor Darul Ehsan.
 Tel : 03-3344 1198 (Hunting Line)
 Fax : 03-3344 2811
 E-mail: sbnk@standardbolts.net

SBN (SG. BULOH)

No. 5 & 7, Block D, Jalan Gelen J, U19/J,
 Megamas Business Centre, Kampung Baru Sg. Buloh,
 47000 Sg. Buloh, Selangor Darul Ehsan, Malaysia.
 Tel : 03-6148 1198 (Hunting Line)
 Fax : 03-6148 2811
 E-mail: sbnsb@standardbolts.net