



標準螺絲供應有限公司 (513831-P)
STANDARD BOLTS & NUTS SDN. BHD.

No. 47 & 49, Jalan TPP 1/1, Taman Industri Puchong, 12th Miles,
 47100 Puchong, Selangor Darul Ehsan, Malaysia.

Tel: 03-8062 3811 (Hunting Line)

Fax: 03-8062 2230, 8068 2811

Website: <http://www.standardbolts.net>

E-mail: sale@standardbolts.net



LIFTING EYE BOLT (DIN580)

Material

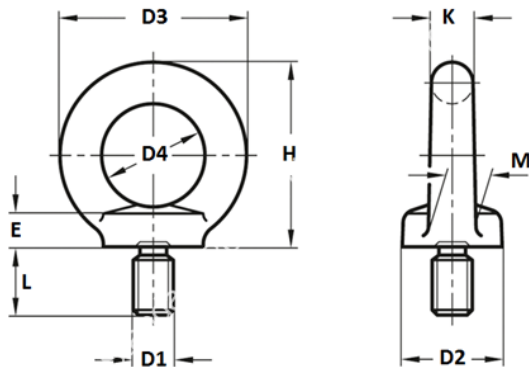
Steel, Stainless Steel 304 (A2)

Finishing

Steel comes in Plain Finishing



D1	PITCH	D2	D3	D4	H	L
M6	1.0	20MM	36MM	20MM	36MM	14MM & 50MM
M8	1.25	20MM	36MM	20MM	36MM	15MM & 50MM
M10	1.5	25MM	45MM	25MM	45MM	18MM & 50MM
M12	1.75	30MM	54MM	30MM	53MM	22MM & 50MM
M14	2.0	30MM	54MM	30MM	53MM	27MM & 50MM
M16	2.0	35MM	63MM	35MM	62MM	27MM & 50MM
M18	2.5	40MM	72MM	40MM	71MM	30MM & 50MM
M20	2.5	40MM	72MM	40MM	71MM	30MM & 50MM
M22	2.5	40MM	72MM	40MM	71MM	35MM & 50MM
M24	3.0	50MM	90MM	50MM	90MM	38MM & 50MM
M27	3.0	50MM	90MM	50MM	90MM	45MM
M30	3.5	65MM	108MM	60MM	109MM	45MM
M33	3.5	65MM	108MM	60MM	109MM	45MM
M36	4.0	75MM	126MM	70MM	128MM	55MM
M39	4.0	75MM	126MM	70MM	128MM	65MM
M42	4.5	85MM	144MM	80MM	147MM	65MM
M48	5.0	100MM	166MM	90MM	168MM	70MM
M56	5.5	110MM	184MM	100MM	187MM	78MM
M64	6.0	120MM	206MM	110MM	208MM	90MM
M72	6.0	150MM	260MM	140MM	260MM	100MM



BRANCH :

SBN (KLANG)

135 & 137, Jalan Batu Tiga Lama,
 Berkeley Town Centre,
 41300 Klang, Selangor Darul Ehsan.
 Tel : 03-3344 1198 (Hunting Line)
 Fax : 03-3344 2811
 E-mail: sbnk@standardbolts.net

SBN (SG. BULOH)

No. 5 & 7, Block D, Jalan Gelen J, U19/J,
 Megamas Business Centre, Kampung Baru Sg. Buloh,
 47000 Sg. Buloh, Selangor Darul Ehsan, Malaysia.
 Tel : 03-6148 1198 (Hunting Line)
 Fax : 03-6148 2811
 E-mail: sbnsb@standardbolts.net