



標準螺絲供應有限公司 (513831-P)
STANDARD BOLTS & NUTS SDN. BHD.

No. 47 & 49, Jalan TPP 1/1, Taman Industri Puchong, 12th Miles,
 47100 Puchong, Selangor Darul Ehsan, Malaysia.

Tel: 03-8062 3811 (Hunting Line)

Fax: 03-8062 2230, 8068 2811

Website: <http://www.standardbolts.net>

E-mail: sale@standardbolts.net



LIFTING EYE NUT (INCHES)

Material

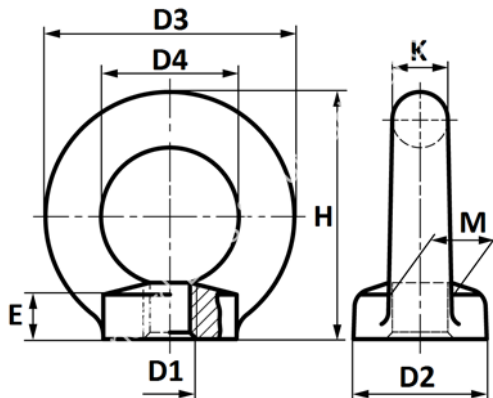
Steel, Stainless Steel 304 (A2)

Finishing

Steel comes in Plain finishing



Size (D1)	T.P.I	D2	D3	D4	H
1/4	20 G	20MM	36MM	20MM	36MM
5/16	18 G	20MM	36MM	20MM	36MM
3/8	16 G	25MM	45MM	25MM	45MM
1/2	12 G	30MM	54MM	30MM	53MM
5/8	11 G	35MM	63MM	35MM	62MM
3/4	10 G	40MM	72MM	40MM	71MM
7/8	9 G	50MM	90MM	50MM	90MM
1"	8 G	50MM	90MM	50MM	90MM
1-1/8	7 G	65MM	108MM	60MM	109MM
1-1/4	7 G	65MM	108MM	60MM	109MM
1-1/2	6 G	75MM	126MM	70MM	128MM
1-3/4	5 G	100MM	166MM	90MM	168MM
2"	4.5 G	100MM	166MM	90MM	168MM



BRANCH :

SBN (KLANG)

135 & 137, Jalan Batu Tiga Lama,
 Berkeley Town Centre,
 41300 Klang, Selangor Darul Ehsan.
 Tel : 03-3344 1198 (Hunting Line)
 Fax : 03-3344 2811
 E-mail: sbnk@standardbolts.net

SBN (SG. BULOH)

No. 5 & 7, Block D, Jalan Gelen J, U19/J,
 Megamas Business Centre, Kampung Baru Sg. Buloh,
 47000 Sg. Buloh, Selangor Darul Ehsan, Malaysia.
 Tel : 03-6148 1198 (Hunting Line)
 Fax : 03-6148 2811
 E-mail: sbnsb@standardbolts.net