



# 標準螺絲供應有限公司 (513831-P) STANDARD BOLTS & NUTS SDN. BHD.

No. 47 & 49, Jalan TPP 1/1, Taman Industri Puchong, 12th Miles,  
47100 Puchong, Selangor Darul Ehsan, Malaysia.

Tel: 03-8062 3811 (Hunting Line)

Fax: 03-8062 2230, 8068 2811

Website: <http://www.standardbolts.net>

E-mail: [sale@standardbolts.net](mailto:sale@standardbolts.net)



## DISC SPRING WASHER (DIN 2093)

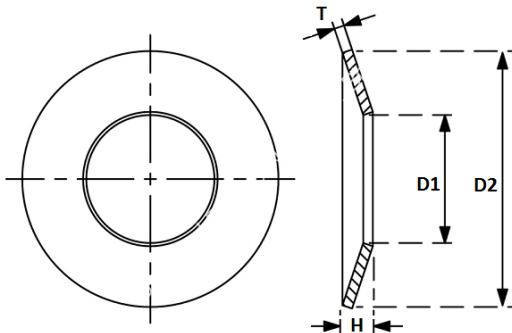
**Material**  
Steel

**Finishing**  
Steel comes in Black Oxide Finishing



| Size          | M4    | M5     | M6     | M6     | M8     | M10    | M10    | M12    | M14    | M16    | M16    |
|---------------|-------|--------|--------|--------|--------|--------|--------|--------|--------|--------|--------|
| D1            | 4.2MM | 5.2MM  | 6.2MM  | 6.2MM  | 8.2MM  | 10.2MM | 10.2MM | 12.2MM | 14.2MM | 16.3MM | 16.3MM |
| D2            | 8MM   | 10MM   | 12.5MM | 12.5MM | 16MM   | 20MM   | 20MM   | 25MM   | 28MM   | 31.5MM | 31.5MM |
| Thickness (T) | 0.4MM | 0.5MM  | 0.5MM  | 0.6MM  | 0.9MM  | 0.8MM  | 1.5MM  | 1.5MM  | 1.5MM  | 1.2MM  | 1.75MM |
| Height (H)    | 0.6MM | 0.85MM | 0.85MM | 0.95MM | 1.25MM | 1.35MM | 1.8MM  | 2.25MM | 2.15MM | 2.15MM | 2.45MM |

| Size          | M18    | M20    | M22    | M24    | M28    | M30    | M30   | M36   | M40   | M45   | M50   |
|---------------|--------|--------|--------|--------|--------|--------|-------|-------|-------|-------|-------|
| D1            | 18.3MM | 20.4MM | 22.4MM | 25.4MM | 28.5MM | 31MM   | 31MM  | 36MM  | 41MM  | 46MM  | 51MM  |
| D2            | 35MM   | 40MM   | 45MM   | 50MM   | 56MM   | 63MM   | 63MM  | 71MM  | 80MM  | 91MM  | 100MM |
| Thickness (T) | 2.0MM  | 2.0MM  | 2.5MM  | 3.0MM  | 3.0MM  | 2.5MM  | 3.5MM | 4.0MM | 5.0MM | 5.0MM | 6.0MM |
| Height (H)    | 2.8MM  | 3.1MM  | 3.5MM  | 4.1MM  | 4.3MM  | 4.25MM | 4.9MM | 5.6MM | 6.7MM | 7.0MM | 8.2MM |



### **SBN Klang (Branch)**

Standard Bolts & Nuts (Klang) Sdn Bhd  
No. 135 & 137, Jalan Batu Tiga Lama,  
Berkeley Town center, 41300 Klang,  
Selangor Darul Ehsan, Malaysia  
Tel: 03-3344 1198 (Hunting Line)  
Fax: 03-3344 2811  
Email: [sbnk@standardbolts.net](mailto:sbnk@standardbolts.net)

### **SBN Sg Buloh (Branch)**

Standard Bolts & Nuts (Sg. Buloh) Sdn Bhd  
NO.5 & 7, Block D, Jalan Gelen J, U19/J,  
Megamas Business Centre, Kg Baru Sg. Buloh,  
47000 Sg. Buloh, Selangor Darul Ehsan, Malaysia  
Tel: 03-6148 1198 (Hunting Line)  
Fax: 03-6148 2811  
Email: [sbnsb@standardbolts.net](mailto:sbnsb@standardbolts.net)

### **SBN Johor (Branch)**

Standard Bolts & Nuts Supply Sdn Bhd  
No. 12 & 14, Jalan Ros Merah 2/17,  
Taman Johor Jaya,  
81100 Johor Bahru, Johor.  
Tel: 07-358 3221 (Hunting Line)  
Fax: 07-364 9279  
Email: [sbnjb@standardbolts.net](mailto:sbnjb@standardbolts.net)