



標準螺絲供應有限公司 (513831-P)  
**STANDARD BOLTS & NUTS SDN. BHD.**

No. 47 & 49, Jalan TPP 1/1, Taman Industri Puchong, 12th Miles,  
 47100 Puchong, Selangor Darul Ehsan, Malaysia.

Tel: 03-8062 3811 (Hunting Line)  
 Website: <http://www.standardbolts.net>

Fax: 03-8062 2230, 8068 2811  
 E-mail: [sale@standardbolts.net](mailto:sale@standardbolts.net)



## E-CLIP

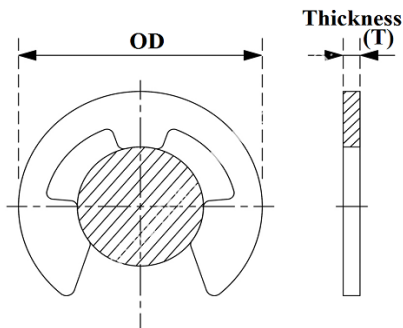
**Material:**

Spring Steel  
 Stainless Steel 304 (A2)



Size	E1.2	E1.5	E1.9	E2	E2.3	E2.5	E3	E3.2	E4	E5
Thickness (T)	0.3MM	0.4MM	0.5MM	0.4MM	0.6MM	0.4MM	0.6MM	0.6MM	0.7MM	0.7MM
Outside Diameter (OD)	3.25MM	4.25MM	4.8MM	5.0MM	6.3MM	6.0MM	7.0MM	7.3MM	9.3MM	11.3MM

Size	E6	E7	E8	E9	E10	E12	E15	E19	E24
Thickness (T)	0.7MM	0.9MM	1.0MM	1.1MM	1.2MM	1.3MM	1.5MM	1.75MM	2.0MM
Outside Diameter (OD)	12.3MM	14.3MM	16.3MM	18.8MM	20.4MM	23.4MM	29.4MM	37.6MM	44.6MM



**SBN Klang (Branch)**

Standard Bolts & Nuts (Klang) Sdn Bhd  
 No. 135 & 137, Jalan Batu Tiga Lama,  
 Berkeley Town center, 41300 Klang,  
 Selangor Darul Ehsan, Malaysia  
 Tel: 03-3344 1198 (Hunting Line)  
 Fax: 03-3344 2811  
 Email: [sbnk@standardbolts.net](mailto:sbnk@standardbolts.net)

**SBN Sg Buloh (Branch)**

Standard Bolts & Nuts (Sg. Buloh) Sdn Bhd  
 NO.5 & 7, Block D, Jalan Gelen J, U19/J,  
 Megamas Business Centre, Kg Baru Sg. Buloh,  
 47000 Sg. Buloh, Selangor Darul Ehsan, Malaysia  
 Tel: 03-6148 1198 (Hunting Line)  
 Fax: 03-6148 2811  
 Email: [sbnsb@standardbolts.net](mailto:sbnsb@standardbolts.net)

**SBN Johor (Branch)**

Standard Bolts & Nuts Supply Sdn Bhd  
 No. 12 & 14, Jalan Ros Merah 2/17,  
 Taman Johor Jaya,  
 81100 Johor Bahru, Johor.  
 Tel: 07-358 3221 (Hunting Line)  
 Fax: 07-364 9279  
 Email: [sbnjb@standardbolts.net](mailto:sbnjb@standardbolts.net)