



標準螺絲供應有限公司 (513831-P)  
**STANDARD BOLTS & NUTS SDN. BHD.**

No. 47 & 49, Jalan TPP 1/1, Taman Industri Puchong, 12th Miles,  
 47100 Puchong, Selangor Darul Ehsan, Malaysia.

Tel: 03-8062 3811 (Hunting Line)  
 Website: <http://www.standardbolts.net>

Fax: 03-8062 2230, 8068 2811  
 E-mail: [sale@standardbolts.net](mailto:sale@standardbolts.net)



# EXTERNAL OVERLAP TOOTH LOCK WASHER



### Material

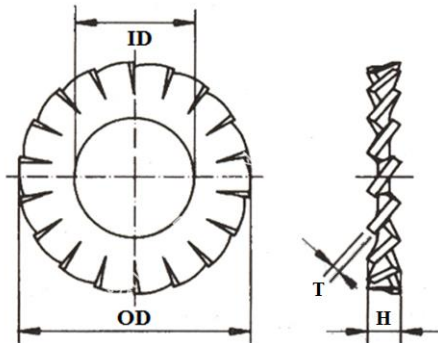
Steel  
 Stainless Steel 304 (A2)

### Finishing

Steel comes in Zinc Plated Finishing

Size	M3	M4	M5	M6	M8	M10	M12	M14
Diameter (ID)	3.2MM	4.3MM	5.3MM	6.4MM	8.4MM	10.5MM	13MM	15MM
Diameter (OD)	6MM	8MM	10MM	11MM	15MM	18MM	20.5MM	24MM
Thickness (T)	0.4MM	0.5MM	0.6MM	0.7MM	0.8MM	0.9MM	1.0MM	1.0MM

Size	M16	M18	M20	M22	M24	M27	M30
Diameter (ID)	17MM	19MM	21MM	23MM	25MM	28MM	31MM
Diameter (OD)	26MM	30MM	33MM	36MM	38MM	44MM	48MM
Thickness (T)	1.2MM	1.4MM	1.4MM	1.5MM	1.5MM	1.6MM	1.6MM



### SBN Klang (Branch)

Standard Bolts & Nuts (Klang) Sdn Bhd  
 No. 135 & 137, Jalan Batu Tiga Lama,  
 Berkeley Town center, 41300 Klang,  
 Selangor Darul Ehsan, Malaysia  
 Tel: 03-3344 1198 (Hunting Line)  
 Fax: 03-3344 2811  
 Email: [sbnk@standardbolts.net](mailto:sbnk@standardbolts.net)

### SBN Sg Buloh (Branch)

Standard Bolts & Nuts (Sg. Buloh) Sdn Bhd  
 NO.5 & 7, Block D, Jalan Gelen J, U19/J,  
 Megamas Business Centre, Kg Baru Sg. Buloh,  
 47000 Sg. Buloh, Selangor Darul Ehsan, Malaysia  
 Tel: 03-6148 1198 (Hunting Line)  
 Fax: 03-6148 2811  
 Email: [sbnbs@standardbolts.net](mailto:sbnbs@standardbolts.net)

### SBN Johor (Branch)

Standard Bolts & Nuts Supply Sdn Bhd  
 No. 12 & 14, Jalan Ros Merah 2/17,  
 Taman Johor Jaya,  
 81100 Johor Bahru, Johor.  
 Tel: 07-358 3221 (Hunting Line)  
 Fax: 07-364 9279  
 Email: [sbnjb@standardbolts.net](mailto:sbnjb@standardbolts.net)