



標準螺絲供應有限公司 (513831-P)
STANDARD BOLTS & NUTS SDN. BHD.

No. 47 & 49, Jalan TPP 1/1, Taman Industri Puchong, 12th Miles,
 47100 Puchong, Selangor Darul Ehsan, Malaysia.

Tel: 03-8062 3811 (Hunting Line)
 Website: <http://www.standardbolts.net>

Fax: 03-8062 2230, 8068 2811
 E-mail: sale@standardbolts.net



FLAT WASHER (INCHES)

Material

Steel
 Stainless Steel 304 (A2)
 Stainless Steel 316 (A4)

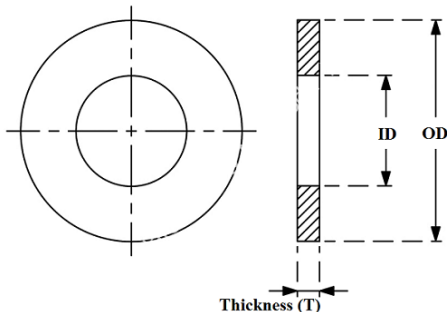


Finishing

Steel comes in Plain and Zinc Plated Finishing

Size	1/4	5/16	3/8	3/8	9/16	1/2	1/2	1/2	5/8
Diameter (OD)	20MM	24.2MM	25MM	27.5MM	34MM	35MM	32MM	38MM	41MM
Thickness	1.2MM	1.2MM	3.0MM	2.5MM 3.0MM	2.3MM	2.0MM	3.0MM	2.5MM 3.0MM	2.5MM 3.0MM

Size	3/4	7/8	7/8	1"	1-1/8	1-1/4	1-1/2	1-3/4	2"
Diameter (OD)	48MM	48.5MM	55MM	65.5MM	70MM	70MM	88.5MM	94.5MM	93.5MM
Thickness	2.5MM 3.0MM	2.5MM	3.0MM	3.0MM	2.5MM	2.5MM	2.5MM	2.5MM	3.0MM



SBN Klang (Branch)

Standard Bolts & Nuts (Klang) Sdn Bhd
 No. 135 & 137, Jalan Batu Tiga Lama,
 Berkeley Town center, 41300 Klang,
 Selangor Darul Ehsan, Malaysia
 Tel: 03-3344 1198 (Hunting Line)
 Fax: 03-3344 2811
 Email: sbnk@standardbolts.net

SBN Sg Buloh (Branch)

Standard Bolts & Nuts (Sg. Buloh) Sdn Bhd
 NO.5 & 7, Block D, Jalan Gelen J, U19/J,
 Megamas Business Centre, Kg Baru Sg. Buloh,
 47000 Sg. Buloh, Selangor Darul Ehsan, Malaysia
 Tel: 03-6148 1198 (Hunting Line)
 Fax: 03-6148 2811
 Email: sbnsb@standardbolts.net

SBN Johor (Branch)

Standard Bolts & Nuts Supply Sdn Bhd
 No. 12 & 14, Jalan Ros Merah 2/17,
 Taman Johor Jaya,
 81100 Johor Bahru, Johor.
 Tel: 07-358 3221 (Hunting Line)
 Fax: 07-364 9279
 Email: sbnjb@standardbolts.net