



標準螺絲供應有限公司 (513831-P)  
**STANDARD BOLTS & NUTS SDN. BHD.**

No. 47 & 49, Jalan TPP 1/1, Taman Industri Puchong, 12th Miles,  
 47100 Puchong, Selangor Darul Ehsan, Malaysia.

Tel: 03-8062 3811 (Hunting Line)  
 Website: <http://www.standardbolts.net>

Fax: 03-8062 2230, 8068 2811  
 E-mail: [sale@standardbolts.net](mailto:sale@standardbolts.net)



## HEXAGON WELD NUT (DIN929)

### Material

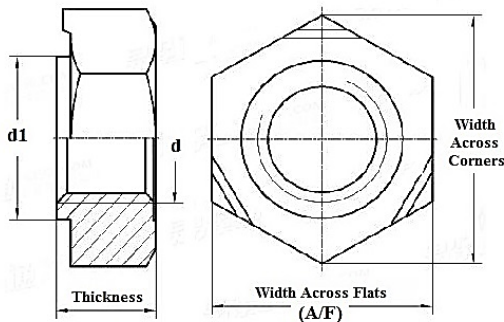
Steel  
 Stainless Steel 304 (A2)  
 Stainless Steel 316 (A4)

### Finishing

Steel comes in Plain and Zinc Plated finishing



Size	M4	M5	M5	M6	M6	M8	M10	M10	M12	M12
Pitch	0.7	0.8	0.8	1.0	1.0	1.25	1.25	1.5	1.25	1.75
A/F	9MM	10MM	11MM	11MM	13MM	14MM	17MM	17MM	19MM	19MM
Thickness	3.5MM	4.0MM	5.0MM	5.0MM	6.0MM	6.5MM	8.0MM	8.0MM	11MM	10MM



### SBN Klang (Branch)

Standard Bolts & Nuts (Klang) Sdn Bhd  
 No. 135 & 137, Jalan Batu Tiga Lama,  
 Berkeley Town center, 41300 Klang,  
 Selangor Darul Ehsan, Malaysia  
 Tel: 03-3344 1198 (Hunting Line)  
 Fax: 03-3344 2811  
 Email: [sbnk@standardbolts.net](mailto:sbnk@standardbolts.net)

### SBN Sg Buloh (Branch)

Standard Bolts & Nuts (Sg. Buloh) Sdn Bhd  
 NO.5 & 7, Block D, Jalan Gelen J, U19/J,  
 Megamas Business Centre, Kg Baru Sg. Buloh,  
 47000 Sg. Buloh, Selangor Darul Ehsan, Malaysia  
 Tel: 03-6148 1198 (Hunting Line)  
 Fax: 03-6148 2811  
 Email: [sbnsb@standardbolts.net](mailto:sbnsb@standardbolts.net)

### SBN Johor (Branch)

Standard Bolts & Nuts Supply Sdn Bhd  
 No. 12 & 14, Jalan Ros Merah 2/17,  
 Taman Johor Jaya,  
 81100 Johor Bahru, Johor.  
 Tel: 07-358 3221 (Hunting Line)  
 Fax: 07-364 9279  
 Email: [sbnjb@standardbolts.net](mailto:sbnjb@standardbolts.net)