



# 標準螺絲供應有限公司 (513831-P) STANDARD BOLTS & NUTS SDN. BHD.

No. 47 & 49, Jalan TPP 1/1, Taman Industri Puchong, 12th Miles,  
47100 Puchong, Selangor Darul Ehsan, Malaysia.

Tel: 03-8062 3811 (Hunting Line)  
Website: <http://www.standardbolts.net>

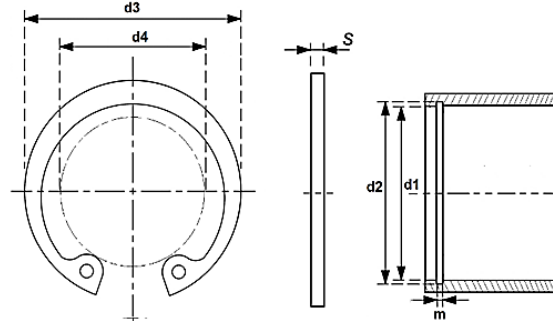
Fax: 03-8062 2230, 8068 2811  
E-mail: [sale@standardbolts.net](mailto:sale@standardbolts.net)



## INTERNAL CIRCLIP (DIN472)

**Material:**  
Steel

**Finishing:**  
Steel comes in Black Oxide finishing



Shaft Diameter d1	d4 Fitted	d3	Tol.	s	d2	m		axial force in N
						H13		
Ø 8	3	8.7	+0.36 -0.1	0.8	8.4	H11	0.9	1280
Ø 9	3.7	9.8			9.4			1440
Ø 10	3.3	10.8			10.4			1600
Ø 11	4.1	11.8			11.4			1760
Ø 12	4.9	13			12.5			2400
Ø 13	5.4	14.1			13.6			3140
Ø 14	6.2	15.1			14.6			3360
Ø 15	7.2	16.2			15.7			4220
Ø 16	8	17.3			16.8			5150
Ø 17	8.8	18.3			17.8			5470
Ø 18	9.4	19.5	19.0	7250				
Ø 19	10.4	20.5	20.0	7640				
Ø 20	11.2	21.5	21.0	8050				
Ø 21	12.2	22.5	22.0	8450				
Ø 22	13.2	23.5	23.0	8820				
Ø 23	13.6	24.6	24.1	10200				
Ø 24	14.8	25.9	25.2	11600				
Ø 25	15.5	26.9	26.2	12000				
Ø 26	16.1	27.9	27.2	12500				
Ø 27	16.6	29.1	28.4	15000				
Ø 28	17.9	30.1	29.4	15800				
Ø 29	18.4	31.1	30.4	16300				
Ø 30	19.9	32.1	31.4	16900				
Ø 31	20	33.4	32.7	21000				
Ø 32	20.6	34.4	33.7	22000				
Ø 34	22.6	36.5	35.7	23200				
Ø 35	23.6	37.8	37.0	28200				
Ø 36	24.6	38.8	38.0	29000				
Ø 37	25.4	39.8	39.0	29800				
Ø 38	26.4	40.8	40.0	30700				
Ø 40	27.8	43.5	42.5	40500				
Ø 42	29.6	45.5	44.5	42500				
Ø 45	32	48.5	47.5	45200				
Ø 47	33.5	50.5	49.5	47200				
Ø 48	34.5	51.5	50.5	48200				
Ø 50	36.3	54.2	53	60700				
Ø 52	37.9	56.2	55	63000				
Ø 55	40.7	59.2	58	66500				
Ø 56	41.7	60.2	59	67500				
Ø 58	43.5	62.2	61	70000				
Ø 60	44.7	64.2	63	72500				
Ø 62	46.7	66.2	65	74800				
Ø 63	47.7	67.2	66	75800				
Ø 65	49	69.2	68	78200				
Ø 68	51.6	72.5	71	81700				
Ø 70	53.6	74.5	73	84200				
Ø 72	55.6	76.5	75	86500				
Ø 75	58.6	79.5	78	90000				
Ø 78	60.1	82.5	81	93500				
Ø 80	62.1	85.5	83.5	112000				
Ø 82	64.1	87.5	85.5	155000				

### SBN Klang (Branch)

Standard Bolts & Nuts (Klang) Sdn Bhd  
No. 135 & 137, Jalan Batu Tiga Lama,  
Berkeley Town center, 41300 Klang,  
Selangor Darul Ehsan, Malaysia  
Tel: 03-3344 1198 (Hunting Line)  
Fax: 03-3344 2811  
Email: [sbnk@standardbolts.net](mailto:sbnk@standardbolts.net)

### SBN Sg Buloh (Branch)

Standard Bolts & Nuts (Sg. Buloh) Sdn Bhd  
NO.5 & 7, Block D, Jalan Gelen J, U19/J,  
Megamas Business Centre, Kg Baru Sg. Buloh,  
47000 Sg. Buloh, Selangor Darul Ehsan, Malaysia  
Tel: 03-6148 1198 (Hunting Line)  
Fax: 03-6148 2811  
Email: [sbnbs@standardbolts.net](mailto:sbnbs@standardbolts.net)

### SBN Johor (Branch)

Standard Bolts & Nuts Supply Sdn Bhd  
No. 12 & 14, Jalan Ros Merah 2/17,  
Taman Johor Jaya,  
81100 Johor Bahru, Johor.  
Tel: 07-358 3221 (Hunting Line)  
Fax: 07-364 9279  
Email: [sbnjb@standardbolts.net](mailto:sbnjb@standardbolts.net)



標準螺絲供應有限公司 (513831-P)  
**STANDARD BOLTS & NUTS SDN. BHD.**

No. 47 & 49, Jalan TPP 1/1, Taman Industri Puchong, 12th Miles,  
 47100 Puchong, Selangor Darul Ehsan, Malaysia.

Tel: 03-8062 3811 (Hunting Line)  
 Website: <http://www.standardbolts.net>

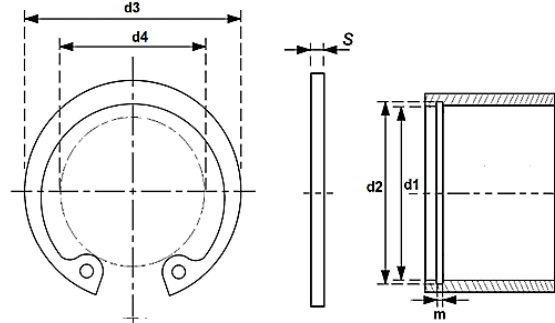
Fax: 03-8062 2230, 8068 2811  
 E-mail: [sale@standardbolts.net](mailto:sale@standardbolts.net)



# INTERNAL CIRCLIP (DIN472)

**Material:**  
 Steel

**Finishing:**  
 Steel comes in Black Oxide finishing



Shaft Diameter	d4	d3	Tol.	s	d2	m	axial force
d1	Fitted					H13	in N
Ø 85	66.9	90.5	+1.3 -0.54	3	88.5	3.15	119000
Ø 88	69.9	93.5			91.5		123000
Ø 90	71.9	95.5			93.5		126000
Ø 92	73.7	97.5			95.5		129000
Ø 95	76.5	100.5			98.5		133000
Ø 98	79	103.5			101.5		137000
Ø 100	80.6	105.5			103.5		140000
Ø 102	82	108			106		163000
Ø 105	85	112			109		168000
Ø 108	88	115			112		173000
Ø 110	88.2	117	+1.5 -0.63	4	114	4.15	176000
Ø 112	90	119			116		179000
Ø 115	93	122			119		184000
Ø 120	96.9	127			124		192000
Ø 125	101.9	132			129		199000
Ø 130	106.9	137			134		207000
Ø 135	111.5	142			139		215000
Ø 140	116.5	147			144		223000
Ø 145	121	152			149		231000
Ø 150	124.8	158			155		300000
Ø 155	129.8	164	+1.7 -0.72	4	160	4.15	309000
Ø 160	132.7	169			165		319000
Ø 165	137.7	174.5			170		329000
Ø 170	141.6	179.5			175		339000
Ø 175	146.6	184.5			180		348000
Ø 180	150.2	189.5			185		345000
Ø 185	155.2	194.5			190		350000
Ø 190	160.2	199.5			195		340000
Ø 195	165.2	204.5			200		330000
Ø 200	170.2	209.5			205		325000
Ø 210	180.2	222	+2 -0.81	5	216	5.15	498000
Ø 220	190.2	232			226		522000
Ø 230	200.2	242			236		549000
Ø 240	210.2	252			246		525000
Ø 250	220.2	262			256		505000
Ø 260	226	275			268		540000
Ø 270	236	285			278		518000
Ø 280	246	295			288		500000
Ø 290	256	305			298		482000
Ø 300	266	315			308		465000

**SBN Klang (Branch)**

Standard Bolts & Nuts (Klang) Sdn Bhd  
 No. 135 & 137, Jalan Batu Tiga Lama,  
 Berkeley Town center, 41300 Klang,  
 Selangor Darul Ehsan, Malaysia  
 Tel: 03-3344 1198 (Hunting Line)  
 Fax: 03-3344 2811  
 Email: [sbnk@standardbolts.net](mailto:sbnk@standardbolts.net)

**SBN Sg Buloh (Branch)**

Standard Bolts & Nuts (Sg. Buloh) Sdn Bhd  
 NO.5 & 7, Block D, Jalan Gelen J, U19/J,  
 Megamas Business Centre, Kg Baru Sg. Buloh,  
 47000 Sg. Buloh, Selangor Darul Ehsan, Malaysia  
 Tel: 03-6148 1198 (Hunting Line)  
 Fax: 03-6148 2811  
 Email: [sbnsb@standardbolts.net](mailto:sbnsb@standardbolts.net)

**SBN Johor (Branch)**

Standard Bolts & Nuts Supply Sdn Bhd  
 No. 12 & 14, Jalan Ros Merah 2/17,  
 Taman Johor Jaya,  
 81100 Johor Bahru, Johor.  
 Tel: 07-358 3221 (Hunting Line)  
 Fax: 07-364 9279  
 Email: [sbnjb@standardbolts.net](mailto:sbnjb@standardbolts.net)