



標準螺絲供應有限公司 (513831-P)
STANDARD BOLTS & NUTS SDN. BHD.

No. 47 & 49, Jalan TPP 1/1, Taman Industri Puchong, 12th Miles,
 47100 Puchong, Selangor Darul Ehsan, Malaysia.

Tel: 03-8062 3811 (Hunting Line)

Fax: 03-8062 2230, 8068 2811

Website: <http://www.standardbolts.net>

E-mail: sale@standardbolts.net



INTERNAL TOOTH LOCK WASHER

Material

Steel

Stainless Steel 304 (A2)

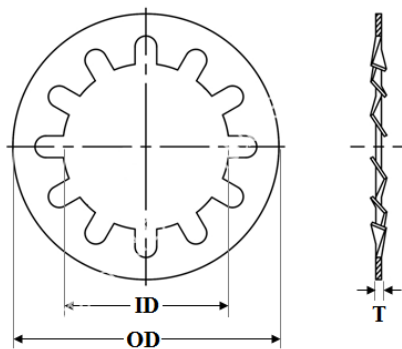


Finishing

Steel comes in Zinc Plated Finishing

Size	M2	M2.5	M3	M3.5	M4	M5	M6	M8
Diameter (ID)	2.2MM	2.7MM	3.2MM	3.2MM	4.3MM	5.3MM	6.4MM	8.4MM
Diameter (OD)	4.5MM	5.5MM	6MM	6MM	8MM	10MM	11MM	15MM
Thickness (T)	0.3MM	0.4MM	0.4MM	0.5MM	0.5MM	0.6MM	0.7MM	0.8MM

Size	M10	M12	M14	M16	M18	M20	M22	M24
Diameter (ID)	10.5MM	13MM	15MM	17MM	19MM	21MM	23MM	25MM
Diameter (OD)	18MM	20.5MM	24MM	26MM	30MM	33MM	36MM	38MM
Thickness (T)	0.9MM	1.0MM	1.0MM	1.2MM	1.4MM	1.4MM	1.5MM	1.5MM



SBN Klang (Branch)

Standard Bolts & Nuts (Klang) Sdn Bhd
 No. 135 & 137, Jalan Batu Tiga Lama,
 Berkeley Town center, 41300 Klang,
 Selangor Darul Ehsan, Malaysia
 Tel: 03-3344 1198 (Hunting Line)
 Fax: 03-3344 2811
 Email: sbnk@standardbolts.net

SBN Sg Buloh (Branch)

Standard Bolts & Nuts (Sg. Buloh) Sdn Bhd
 NO.5 & 7, Block D, Jalan Gelen J, U19/J,
 Megamas Business Centre, Kg Baru Sg. Buloh,
 47000 Sg. Buloh, Selangor Darul Ehsan, Malaysia
 Tel: 03-6148 1198 (Hunting Line)
 Fax: 03-6148 2811
 Email: sbnsb@standardbolts.net

SBN Johor (Branch)

Standard Bolts & Nuts Supply Sdn Bhd
 No. 12 & 14, Jalan Ros Merah 2/17,
 Taman Johor Jaya,
 81100 Johor Bahru, Johor.
 Tel: 07-358 3221 (Hunting Line)
 Fax: 07-364 9279
 Email: sbnjb@standardbolts.net