



標準螺絲供應有限公司 (513831-P)
STANDARD BOLTS & NUTS SDN. BHD.

No. 47 & 49, Jalan TPP 1/1, Taman Industri Puchong, 12th Miles,
 47100 Puchong, Selangor Darul Ehsan, Malaysia.

Tel: 03-8062 3811 (Hunting Line)
 Website: <http://www.standardbolts.net>

Fax: 03-8062 2230, 8068 2811
 E-mail: sale@standardbolts.net



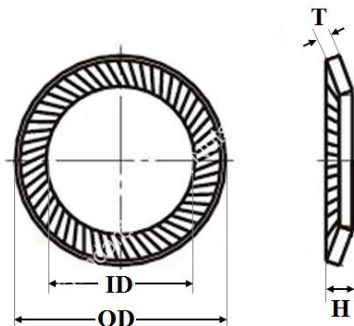
RIBBED LOCK WASHER

Material
 Spring Steel



Size	M2	M2.5	M3	M4	M5	M6	M8	M10	M12
ID	2.2MM	2.7MM	3.2MM	4.3MM	5.3MM	6.4MM	8.4MM	10.5MM	13MM
OD	4.0MM	4.8MM	5.5MM	7.0MM	9.0MM	10.0MM	13.0MM	16.0MM	18MM
Thickness (T)	0.35MM	0.45MM	0.45MM	0.5MM	0.6MM	0.7MM	0.8MM	1.0MM	1.1MM
Height (H)	0.6MM	0.9MM	0.9MM	1.0MM	1.1MM	1.2MM	1.4MM	1.6MM	1.7MM

Size	M14	M16	M18	M20	M22	M24	M27	M30	
ID	15MM	17MM	19MM	21MM	23MM	25.6MM	28.6MM	31.6MM	
OD	22MM	27MM	27MM	30MM	33MM	36MM	39MM	45MM	
Thickness (T)	1.2MM	1.3MM	1.5MM	1.5MM	1.5MM	1.8MM	2.0MM	2.0MM	
Height (H)	2.0MM	2.1MM	2.3MM	2.5MM	2.7MM	2.9MM	3.1MM	3.6MM	



SBN Klang (Branch)

Standard Bolts & Nuts (Klang) Sdn Bhd
 No. 135 & 137, Jalan Batu Tiga Lama,
 Berkeley Town center, 41300 Klang,
 Selangor Darul Ehsan, Malaysia
 Tel: 03-3344 1198 (Hunting Line)
 Fax: 03-3344 2811
 Email: sbnk@standardbolts.net

SBN Sg Buloh (Branch)

Standard Bolts & Nuts (Sg. Buloh) Sdn Bhd
 NO.5 & 7, Block D, Jalan Gelen J, U19/J,
 Megamas Business Centre, Kg Baru Sg. Buloh,
 47000 Sg. Buloh, Selangor Darul Ehsan, Malaysia
 Tel: 03-6148 1198 (Hunting Line)
 Fax: 03-6148 2811
 Email: sbnbs@standardbolts.net

SBN Johor (Branch)

Standard Bolts & Nuts Supply Sdn Bhd
 No. 12 & 14, Jalan Ros Merah 2/17,
 Taman Johor Jaya,
 81100 Johor Bahru, Johor.
 Tel: 07-358 3221 (Hunting Line)
 Fax: 07-364 9279
 Email: sbnjb@standardbolts.net