



標準螺絲供應有限公司 (513831-P)
STANDARD BOLTS & NUTS SDN. BHD.

No. 47 & 49, Jalan TPP 1/1, Taman Industri Puchong, 12th Miles,
 47100 Puchong, Selangor Darul Ehsan, Malaysia.

Tel: 03-8062 3811 (Hunting Line)
 Website: <http://www.standardbolts.net>

Fax: 03-8062 2230, 8068 2811
 E-mail: sale@standardbolts.net



SHACKLE

Material

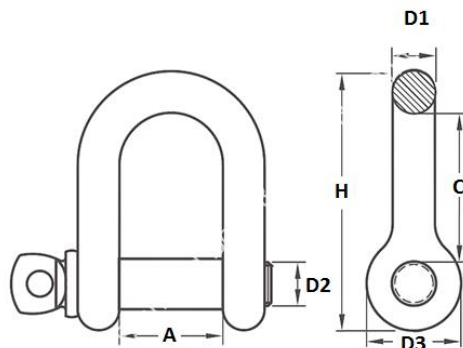
Mild Steel, Stainless Steel 304 (A2)

Finishing

Mild Steel comes in Plain and Zinc Plated Finishing



SIZE	M5	M6	M8	M10	M12	M16	M20
D1	5MM	6MM	8MM	10MM	12MM	16MM	20MM
D2	5MM	6MM	8MM	10MM	12MM	16MM	20MM
D3	10MM	12MM	16MM	21MM	24MM	31MM	34MM
A	11MM	13MM	16MM	20MM	25MM	34MM	37MM
C	18MM	21MM	28MM	34MM	42MM	54MM	65MM
H	29MM	36MM	47MM	59MM	72MM	93MM	107MM



SBN Klang (Branch)

Standard Bolts & Nuts (Klang) Sdn Bhd
 No. 135 & 137, Jalan Batu Tiga Lama,
 Berkeley Town center, 41300 Klang,
 Selangor Darul Ehsan, Malaysia
 Tel: 03-3344 1198 (Hunting Line)
 Fax: 03-3344 2811
 Email: sbnk@standardbolts.net

SBN Sg Buloh (Branch)

Standard Bolts & Nuts (Sg. Buloh) Sdn Bhd
 NO.5 & 7, Block D, Jalan Gelen J, U19/J,
 Megamas Business Centre, Kg Baru Sg. Buloh,
 47000 Sg. Buloh, Selangor Darul Ehsan, Malaysia
 Tel: 03-6148 1198 (Hunting Line)
 Fax: 03-6148 2811
 Email: sbnsb@standardbolts.net

SBN Johor (Branch)

Standard Bolts & Nuts Supply Sdn Bhd
 No. 12 & 14, Jalan Ros Merah 2/17,
 Taman Johor Jaya,
 81100 Johor Bahru, Johor.
 Tel: 07-358 3221 (Hunting Line)
 Fax: 07-364 9279
 Email: sbnjb@standardbolts.net