



標準螺絲供應有限公司 (513831-P) STANDARD BOLTS & NUTS SDN. BHD.

No. 47 & 49, Jalan TPP 1/1, Taman Industri Puchong, 12th Miles,
47100 Puchong, Selangor Darul Ehsan, Malaysia.

Tel: 03-8062 3811 (Hunting Line)

Fax: 03-8062 2230, 8068 2811

Website: <http://www.standardbolts.net>

E-mail: sale@standardbolts.net



WING NUT

Material

Steel

Stainless Steel 304 (A2)

Stainless Steel 316 (A4)

Finishing

Steel comes in Nickel Plated and Zinc Plated Finishing

Metric Size

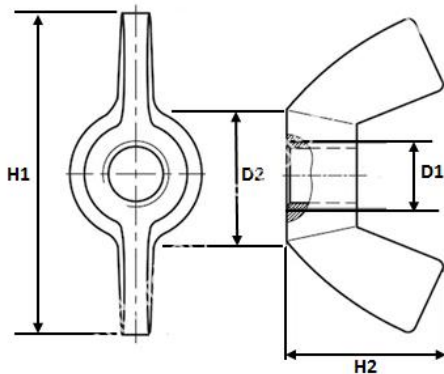
M3, M4, M5, M6, M8, M10, M12, M16 and M20

Inches Size

1/8", 5/32", 3/16", 1/4", 5/16", 3/8", 1/2", 5/8" and 3/4"



Metric Size									
Size (D1)	M3	M4	M5	M6	M8	M10	M12	M16	M20
Pitch	0.5	0.7	0.8	1.0	1.25	1.5	1.75	2.0	2.5
D2	8MM	8MM	10MM	12MM	13.5MM	16MM	22MM	29MM	33MM
H1 (Max)	19.5MM	19.5MM	23MM	28MM	31.8MM	36.6MM	49.3MM	64MM	72MM
H2(Max)	10MM	10MM	12MM	14.5MM	16.8MM	20MM	25MM	32MM	33MM



SBN Klang (Branch)

Standard Bolts & Nuts (Klang) Sdn Bhd
No. 135 & 137, Jalan Batu Tiga Lama,
Berkeley Town center, 41300 Klang,
Selangor Darul Ehsan, Malaysia
Tel: 03-3344 1198 (Hunting Line)
Fax: 03-3344 2811
Email: sbnk@standardbolts.net

SBN Sg Buloh (Branch)

Standard Bolts & Nuts (Sg. Buloh) Sdn Bhd
NO.5 & 7, Block D, Jalan Gelen J, U19/J,
Megamas Business Centre, Kg Baru Sg. Buloh,
47000 Sg. Buloh, Selangor Darul Ehsan, Malaysia
Tel: 03-6148 1198 (Hunting Line)
Fax: 03-6148 2811
Email: sbnsb@standardbolts.net

SBN Johor (Branch)

Standard Bolts & Nuts Supply Sdn Bhd
No. 12 & 14, Jalan Ros Merah 2/17,
Taman Johor Jaya,
81100 Johor Bahru, Johor.
Tel: 07-358 3221 (Hunting Line)
Fax: 07-364 9279
Email: sbnjb@standardbolts.net