



標準螺絲供應有限公司 (513831-P)
STANDARD BOLTS & NUTS SDN. BHD.

No. 47 & 49, Jalan TPP 1/1, Taman Industri Puchong, 12th Miles,
 47100 Puchong, Selangor Darul Ehsan, Malaysia.

Tel: 03-8062 3811 (Hunting Line)

Fax: 03-8062 2230, 8068 2811

Website: <http://www.standardbolts.net>

E-mail: sale@standardbolts.net



CONICAL WASHER FOR CAP

Material

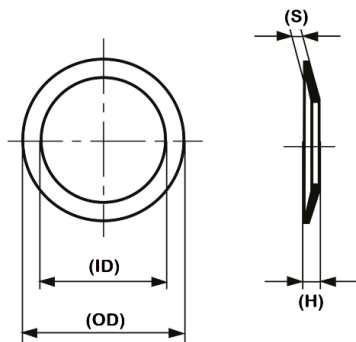
Spring Steel



Finishing

Steel comes in Plain

Size	M3	M4	M5	M6	M8	M10	M12	M16	M20
Diameter (ID)	3.2MM	4.3MM	5.3MM	6.4MM	8.4MM	10.5MM	13MM	17MM	21MM
Diameter (OD)	5.7MM	7.2MM	9.2MM	10.2MM	14MM	17MM	21MM	26MM	32MM
Thickness (S)	0.3MM	0.4MM	0.45MM	0.45MM	0.55MM	0.7MM	0.9MM	1.0MM	1.2MM
Height (H) (min.)	0.45MM	0.55MM	0.65MM	0.7MM	0.9MM	1.1MM	1.35MM	1.65MM	2.0MM



SBN Klang (Branch)

Standard Bolts & Nuts (Klang) Sdn Bhd
 No. 135 & 137, Jalan Batu Tiga Lama,
 Berkeley Town center, 41300 Klang,
 Selangor Darul Ehsan, Malaysia
 Tel: 03-3344 1198 (Hunting Line)
 Fax: 03-3344 2811
 Email: sbnk@standardbolts.net

SBN Sg Buloh (Branch)

Standard Bolts & Nuts (Sg. Buloh) Sdn Bhd
 NO.5 & 7, Block D, Jalan Gelen J, U19/J,
 Megamas Business Centre, Kg Baru Sg. Buloh,
 47000 Sg. Buloh, Selangor Darul Ehsan, Malaysia
 Tel: 03-6148 1198 (Hunting Line)
 Fax: 03-6148 2811
 Email: sbnbs@standardbolts.net

SBN Johor (Branch)

Standard Bolts & Nuts Supply Sdn Bhd
 No. 12 & 14, Jalan Ros Merah 2/17,
 Taman Johor Jaya,
 81100 Johor Bahru, Johor.
 Tel: 07-358 3221 (Hunting Line)
 Fax: 07-364 9279
 Email: sbnjb@standardbolts.net